



MINING **14HKP3000** Specification

H/Duty LED Lighting Towers built for extended service life in mining conditions

PIT MASTER

LED LIGHTING TOWERS



14HKP3000 LED LIGHTING TOWER SPECIFICATIONS

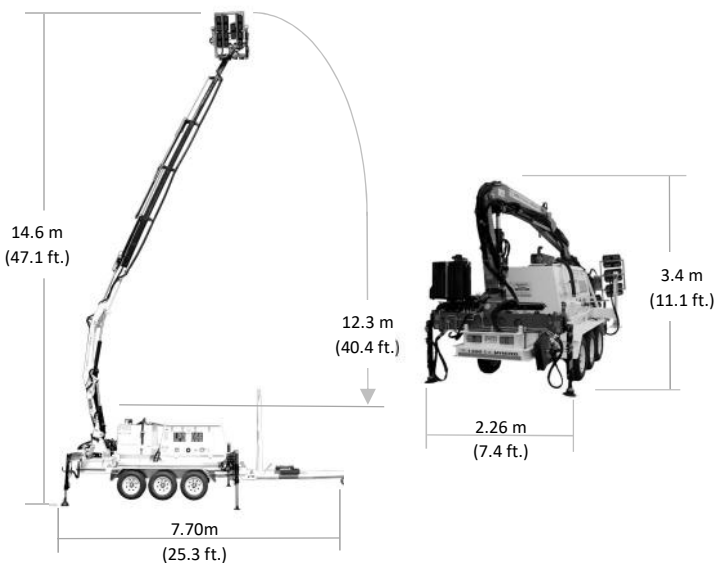
FEATURES

- ✔ Over 50 – 70% Reduction in Fuel Consumption
- ✔ Mine Spec'd as Standard
- ✔ Extra Low Voltage (Electrocution Risk Eliminated)
- ✔ Immediate Light Start Up
- ✔ Reduction in Running & Maintenance Costs
- ✔ 50,000 Hour Light Life
- ✔ 500 Hour Service Intervals (selected models)

SPECIFICATIONS

Lights	Pit Master H-Duty PM112 588,000 Lumens (5,320W)
Tower Voltage	24VDC
Alternator	4 Pole Direct Drive
Engine	Kubota D1105
Fuel Capacity	580 L (153.2 gal)
Fuel Tank Hours	300 Hours
Wheel Size	4 x 4 Rims Off Road Tyres 225/75/R16
Total Weight (No Fuel)	4,700 kg (10,361 lbs)
Boom	Hydraulic Lift/Extension
Boom Rotation	Hydraulic Rotation 300°
Legs	Hydraulic (Front) Manual (Back)

MEASUREMENTS



H/DUTY MINING

STANDARD INCLUSIONS

Controls	Electronic Controller – Auto Start/Stop
Engine Protection	Fail Safe Shutdown – Temp, Oil & Water
Radiator	Mine Safe Radiator Cap
Battery Isolation	Single Pole with Lock Out
Start Isolation	Single Pole with Lock Out
MDG15 Electrical	As per Regulated Standards
MDG41 Hydraulic	As per Regulated Standards
E-Stop	Standard Fitment
Chassis/Sub Frame	Heavy Duty Paint
Mud Guards	Heavy Duty Paint
Fuel Tank	Double Bunded
Tow Hitch	75 mm Pintle Ring - 6,000kg (13,227.7 lbs)
Jockey Wheel	Heavy Duty Swing Away
Wheel Nut Indicators	Standard Fitment
Wheel Chocks	Standard Fitment
Fire Extinguisher	4.5 kg (9.9 lb) Standard
Oil Recovery	Oil Evacuation Tap
Fuel Recovery	Fuel Evacuation Tap
Jump Start	Cat or Anderson Plug
Service Upgrades	500 Hour Water Separator, Filter Upgrade 500 Hour Service Sump

TOWER OPTIONS

Fast Fill	Multi Flow Fast Fill Kit
Oil Recovery	Wiggins Oil Evacuation Kit
Fuel Warning	Red Fuel Warning LED Beacon
Wheel Accessories	Spare Wheel Carrier & Wheel Mud Flaps



24-32 Interlink Court, Paget, Mackay Qld 4740
 Phone: 61 7 4998 5061
 Fax: 61 7 4998 5062
 Email info@pitmaster.com.au

WWW.PITMASTER.COM.AU



©Southern Cross Group – V2